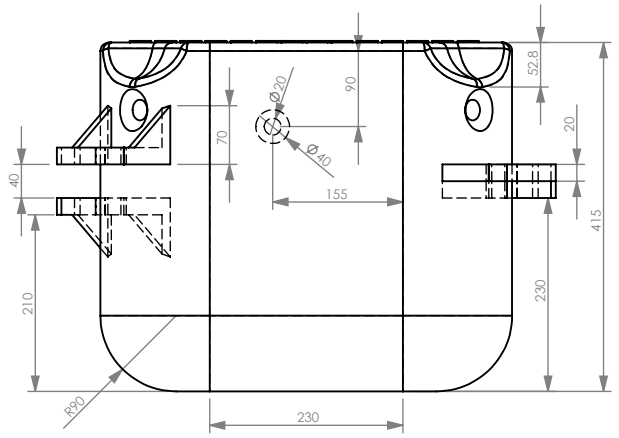
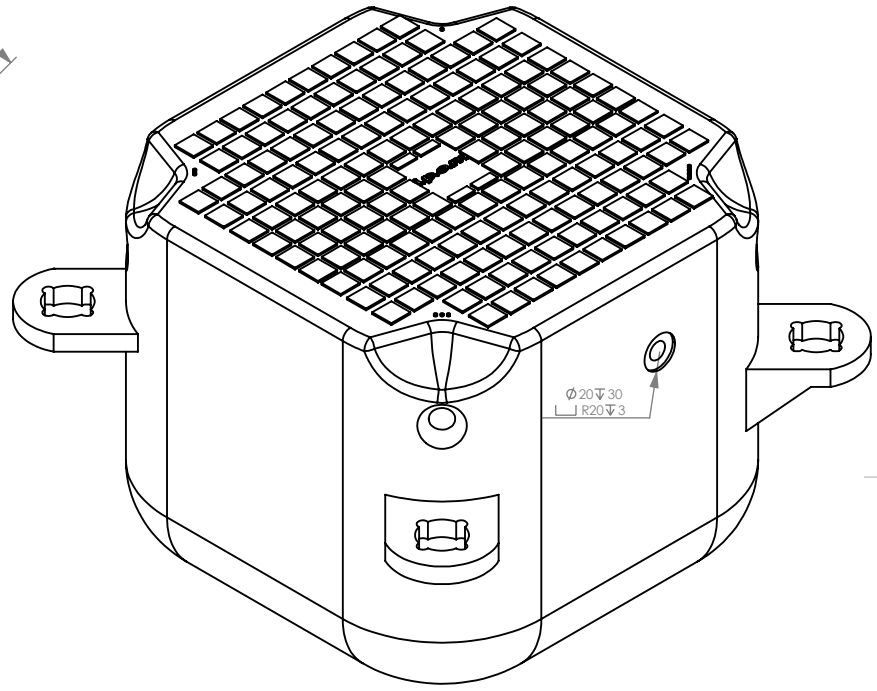


DETAIL A
SCALE 1 : 3.5



UNLESS OTHERWISE SPECIFIED: DIMENSIONS ARE IN MILLIMETERS SURFACE FINISH: TOLERANCES: LINEAR: ANGULAR:		FINISH:		DEBUR AND BREAK SHARP EDGES		DO NOT SCALE DRAWING		REVISION	
DRAWN		SIGNATURE		DATE		TITLE:			
CHK'D									
APPV'D									
MFG									
Q.A				MATERIAL:		DWG NO.		shenavar	
				WEIGHT:		SCALE:1:10		A4	
						SHEET 1 OF 1			